

LADDER AND TRAY COVERS

Covers are normally specified where protection is required:

1. To safeguard against damage to cable and insulation from falling objects—dropped tools, discarded cigarettes, sparks or solid materials.
2. Covers protect cable insulation and fixings (plastic ties etc.) from harmful effects of ultra-violet light and/or weathering deterioration.
3. In areas where high levels of airborne particles are present, covers prevent accumulation of dust or other debris on cables, which may cause heat build up, fire hazards or absorb moisture, which may shorten life of installation.

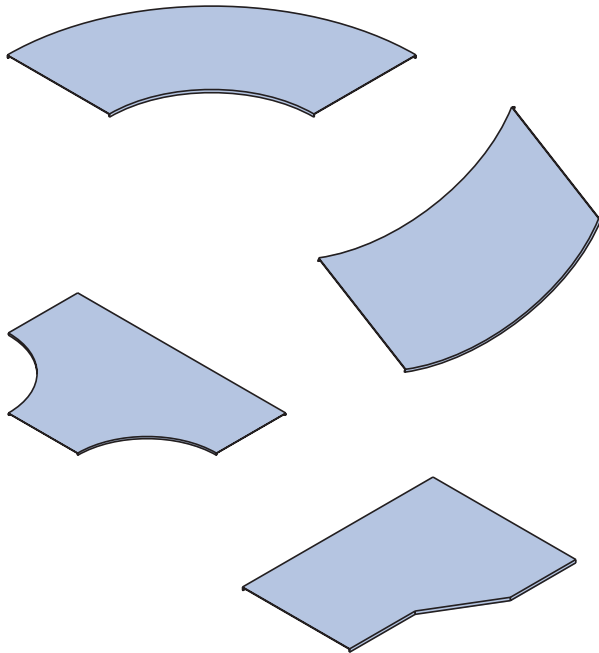
AVAILABILITY

Standard covers are available for all Unistrut® cable ladder systems. Standard length is 3 meters. Flat, peaked or ventilated covers are available by special order.

MATERIAL

Aluminium Systems: Aluminium alloy 5005. Suitable for marine applications and compatible with the 6106-T6 alloy used in ladders.

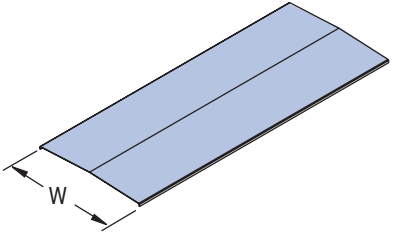
Steel Systems: Galvabond, Heavy Duty Galvanised steel sheet to AS 1397.



ACCESSORY COVERS

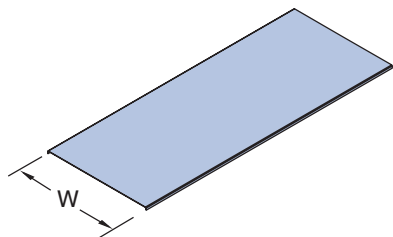
Flat covers are available to match shaped accessories of all Unistrut/ACS Cable Ladder Systems, in both steel and aluminium. Materials are the same as for straight covers.

Note: Accessory covers are identical for all steel and aluminium cable ladder systems. When ordering, please specify width and radius.



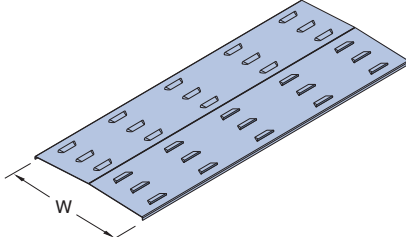
STANDARD COVERS

The 3-5° crease allows for maximum protection to cables. The standard cover has a 3-5° crease for added rigidity.



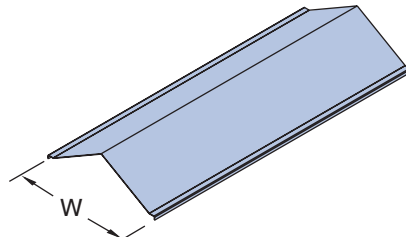
FLAT COVERS

Most commonly used where there is space restrictions and the use of standard and peaked covers is not practical.



VENTILATED COVERS

Should be used wherever reasonable protection for cables is required and where there is also a primary requirement to allow the escape of heat generated by cable.



PEAKED COVERS

Used in very dusty situations where the self cleaning effect of sloping sides prevents excessive dust accumulations. The large air-space above the cables also assists with the dissipation of heat.

NEMA CABLE LADDER ACCESSORIES SUPPORTS

Accessories for all Unistrut® cable ladder systems are available in the following standard widths - 150, 300, 450, 600, 750 or 900mm.

SCL (Steel Cable Ladder) and ACL (Aluminium Cable Ladder).

Steel Cable Ladder		Aluminium Cable Ladder	
Ladder System	Standard Radius	Ladder System	Standard Radius
Nema 16A, Nema 20B	300mm	AL8, AL12, AL12B, AL16, AL20, AL20C	300mm

Fixed bends and Internal or External Risers are readily available with a 90° angle. Other angles (30°, 45° or 60°) and other radii (300, 450, 600 or 900mm) can be supplied on special request. The radii also applies to Tees and Crosses. All support locations below are in accordance with NEMA standard VE2.

